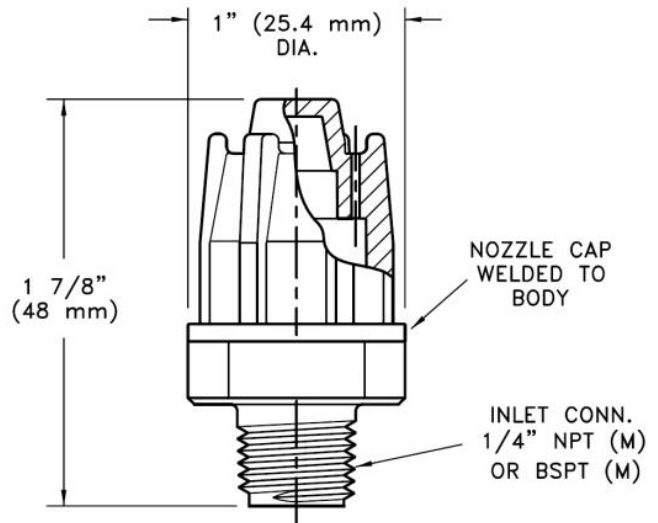


### Typical Applications:

- Parts cleaning
- Cooling
- Material conveying
- Drying
- Hand held blow-off guns

### Features:

- Efficient use of air , reduces operating costs.
- Low noise level. Less than OSHA Standart 1910.95
- Meets OSHA Requirements for Dead end Pressure.
- Concentrated round spray pattern provides high impact.
- Extended nozzle ribs protect orifices.
- Materials include durable, lightweight ABS or chemically resistant kynar (PVDF) and PPS (Polyphenylene Sulfide).
- Can be mounted in groups for greater intensity.
- Nozzle ribs a accommodate 13/16" (20.6 mm) deep socket.
- Maximum pressure - 125 PSI (8.6 bar).



SNR blow off nozzles by special internal fluid chamber silencer, rectifying designed. They deliver high impact, round streams of compressed air. It is widely used for local, inner hole, long distance blowing search.

ABS material is the common type and temperatures to 100°C at 4bar. PVDF material resists chemical corrosion. SS material applicable to the high pressure and high temperature environment. Aluminum material applicable to medium-pressure environment.

Series	Connection Thread Size	Max Temp.	Weight (gr)	Air consumption - Typical Capacity - (NI/min) at Various Air Pressure - (bar)				
				0.7 bar	2 bar	3 bar	4 bar	6 bar
SNR-ABS	1/4" BSPT Male	82°C (180°F)	8	181	345	462	578	810
SNR-AL	1/4" BSPT Male	250°C (482°F)	24	181	345	462	578	810
				Air consumption - Typical Capacity - (SCFM) at Various Air Pressure - (PSI)				
				10 PSI	30 PSI	40 PSI	60 PSI	90 PSI
SNR-ABS	1/4" BSPT Male	82°C (180°F)	8	6.4	12.4	15.3	21.0	29.4
SNR-AL	1/4" BSPT Male	250°C (482°F)	24	6.4	12.4	15.3	21.0	29.4