

# Ionized Air Products

## Model 500 Ionized Air Blower



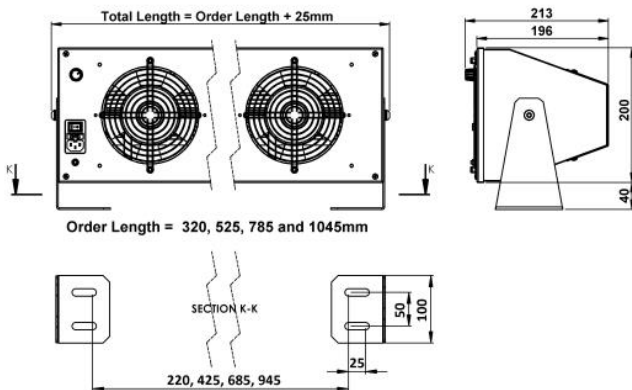
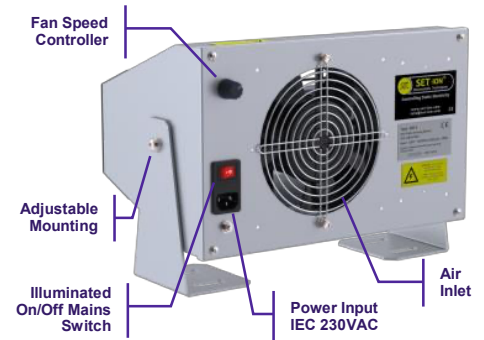
The Model 500 Ionized Air Blower provides effective long-range ionization over a large area. It produces a high volume of ionized air to neutralize static charges from all surfaces of the three-dimensional products. Its versatility makes it suitable for a wide range of industrial applications.

500 Air Blowers are long distance static eliminators with robust stainless steel construction and powerful ionization performance.

Model 500 Air Blowers are used to neutralize the static charges on mouldings, winders, unwinders, bench tops, and other large objects or wide area applications.

The Model 500 comprises ionizer bars and an integrated fan system. A high volume flow of ionized air is generated by blowing air through the ionizers at the mouth of the blower. Ionization is provided by powerful 200 Antistatic Bars, generating an ionised field to a depth of up to 2000mm. Fan speed control enables optimum set up for operator comfort and ionization range.

The ionized air leaves the blower and expands at approximately 10-15° in both axes. Swivel L brackets allow for versatile mounting.



### Specifications

<b>Construction:</b>	Electrostatic powder coated steel case grounded against leakage currents	
<b>Length:</b>	Sizes available - 320mm, 525mm, 785mm, 1045mm	
<b>Electrical Supply:</b>	<b>Input:</b> 230 VAC / 50 Hz	
	<b>1 Fan / 320mm:</b> 80W	<b>3 Fans / 785mm:</b> 160W
	<b>2 Fans / 525mm:</b> 120W	<b>4 Fans / 1045mm:</b> 200W
<b>Temperature:</b>	Working Temperature:	Max 60°C
<b>Flow Rate:</b>	5500lt/min - 330m <sup>3</sup> /hour per fan / 250mm	
<b>Safety:</b>	Resistively coupled ionisation head. Current limited to 5 mA. Shockless operation.	
<b>Working Distance:</b>	Up to 2000mm. The best operational distance is between 250mm and 1000mm.	

- Integrated Power Unit. No need High Voltage Cable outside
- Rugged, durable construction for long life
- Current limited for operator safety
- Short-circuit protection for high voltage
- Operating distances of up to 2000mm
- Powerful ionisation with very fast decay times

- Air flow can be adjusted to suit specific applications
- Easy, flexible mounting - Can be mounted on walls, ceilings, etc to suit a specific application
- Ioniser bars mounted at the mouth of the blower for fast static neutralization.

